

# FENIX 200 SERIES

Rockwell | Brinell Hardness Testers

MANUAL & SEMI-AUTOMATIC



# FENIX 200 AR

## Fast & affordable Rockwell testing...

Quality long life mechanics, readings from a precision analogue indicator. Load applied from a dead weight force actuator, with solid test load selector design. The newly designed C frame made out of steel (no casting) provides 100% more rigidity compared to traditional casted designs and assures excellent GR & R results, even after years of use.

The internal system can be easily serviced by removing the side and top covers, no need to turn the machine around.



## HARDNESS SCALES



**ROCKWELL** 10kgf – 150kgf



## ROCKWELL FORCE RANGE

1kgf	10kgf	FENIX 200 AR	150kgf	187.5kgf
------	-------	--------------	--------	----------

## HIGHLIGHTS

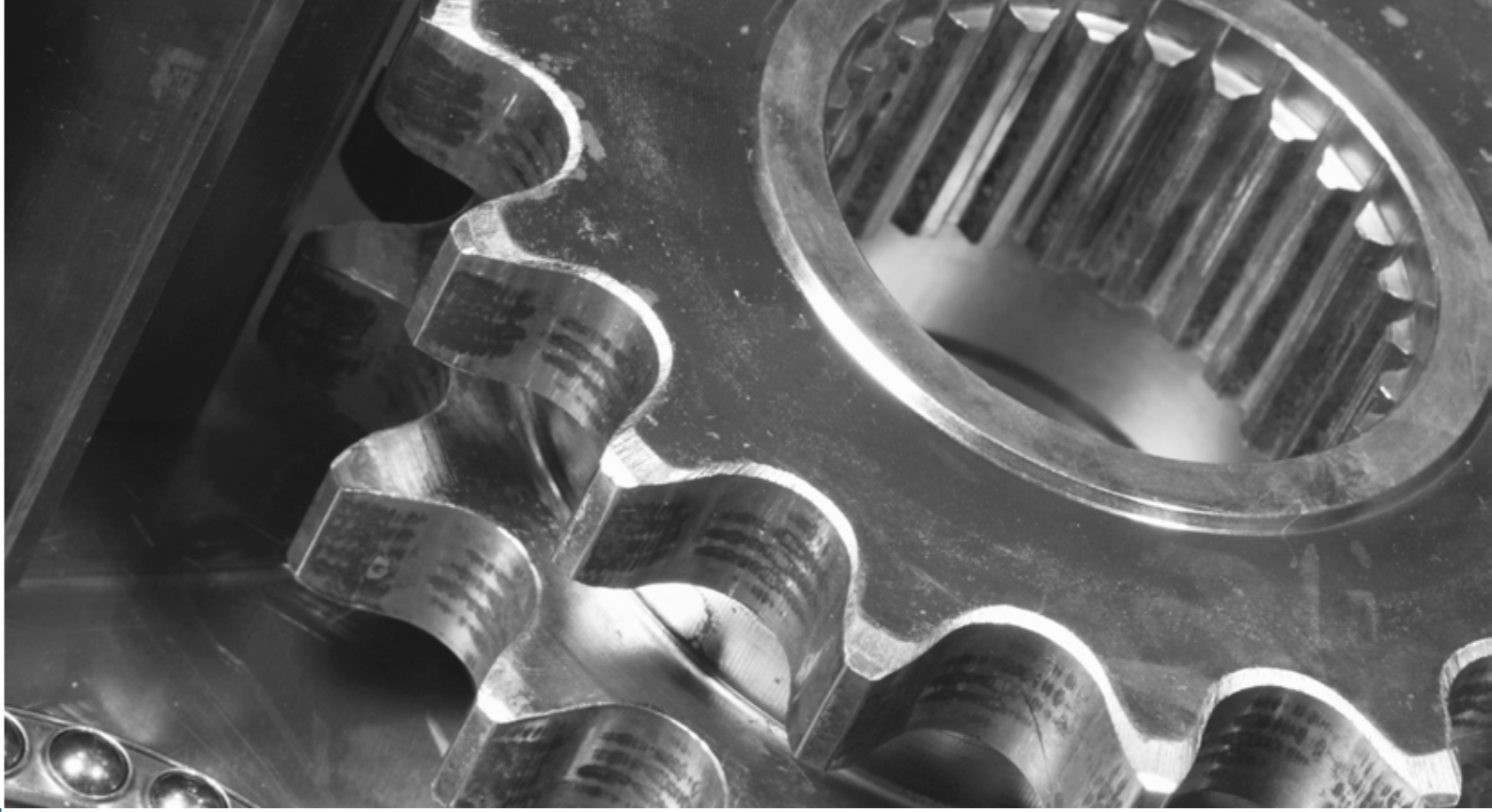
- 1 Rockwell scales : A, B, C, D, E, F, G, H, K, L, M, P, R, S, V
- 2 Test loads, pre-load : 10kgf, main-load : 60, 100, 150kgf
- 3 Adjustable hydraulic force speed damper
- 4 Adjustable dial indicator with 0.5 HR Rockwell units
- 5 Throat depth : 150mm
- 6 Working height : 240mm
- 7 Rockwell EN-ISO 6508, ASTM E-18
- 8 Machine weight (net) : 126kg
- 9 Machine dimensions : H765mm/W270mm/D555mm

# FENIX 200 ACL



## Affordable Rockwell testing, re-invented...

A load cell, closed loop, force feedback, test force application system that is absolutely unique in this class of instruments. Limited mechanical structure, without weights or weight selection. Hardness scales can be selected on the digital display. Conduct Rockwell hardness testing with great force precision and without the disadvantage of a relative complex mechanical dead weight system.

The internal system can be serviced by removing the side and top covers, no need to turn the machine around.

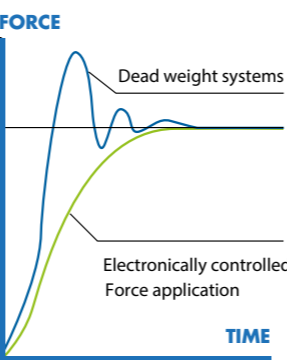


### HARDNESS SCALES

	<b>ROCKWELL</b>	10kgf – 150kgf
	<b>BRINELL</b>	10kgf – 187.5kgf



#### TECHNOLOGY OF TODAY



Load cell, closed loop, force feedback system

### ROCKWELL & BRINELL FORCE RANGE

1kgf	10kgf	FENIX 200 ACL	187.5kgf
------	-------	---------------	----------

## HIGHLIGHTS

- 1 Load cell, closed loop, force feedback, force application system, error <0,25%
- 2 Rockwell scales : A, B, C, D, E, F, G, H, K, L, M, P, R, S, V  
Brinell scales : HBW1/10, HBW1/30, HBW2.5/15.625, HBW2.5/31.25, HBW2.5/62.5, HBW2.5/187.5, HBW5/25, HBW5/62.5, HBW5/125, HBW5/187.5, HBW10/100
- 3 Digital display for scale indication, dwell time count down and calibration function.
- 4 Start/stop & menu selection buttons.
- 5 Adjustable dial indicator with 0.5 HR Rockwell units
- 6 Throat depth : 150mm
- 7 Working height : 240mm
- 8 Machine weight (net) : 116kg.
- 9 Machine dimensions : H765mm/W270mm/D555mm

# SENSIBLE

# INNOVATION



**200 ACL**  
Multi loadcell,  
ball bearing,  
force actuator



**STANDARD**  
Force  
adjustable  
workpiece clamp

## Observe, Think, Try, Change...

Unparalleled in this class of Rockwell hardness testing machines is the electronic Load cell, closed loop, force feedback, force application system. Absolute maintenance free, automatic setting of test forces by choosing the Rockwell hardness scale. Error free operation, due to an automatic test cycle, applying the main load and correct pre-set dwell time.

# VARIOUS POSSIBILITIES

The FENIX is larger than most other machines in its class. With a throat depth of 150mm and maximum workpiece height of 240mm, it offers the user a generous workspace. With 116kg total weight, the FENIX is also super rigid and sturdy, it can withstand harsh environments. Compare these parameters with alternative products and find that FENIX is leading in its class.



## INDENTER COVER & CLAMP

The 200 series is standard equipped with an indenter protection cover that includes an integrated spring loaded workpiece clamp pressing the workpiece firmly on the anvil and eliminating possible workpiece and spindle hysteresis. Adjustable clamp force, to avoid impressions on softer materials.



## SUPPORT YOUR BEST TESTING RESULTS

With our rigid designed Bench stands

- Rock solid bench stands
- 100% retractable drawer, bearing guidance, max 100kg load. Rubber anti slip bottom
- Lockable cabinet, 300mm high
- Adjustable feet, (+/- 50mm height adjustable to reach ergonomic working position)
- Made of corrosion resistant zinc plated steel with RAL powder coating
- Carrying capacity of 400kg
- Top surface made of 50mm Plywood with 1.5mm chemical resistant plastic plating, edges made of shock resistant 3mm ABS side liner
- Industrial quality, for workshop or laboratory

Designed for hardness testing instruments, painted in INNOVATEST® RAL colors matching our testers.



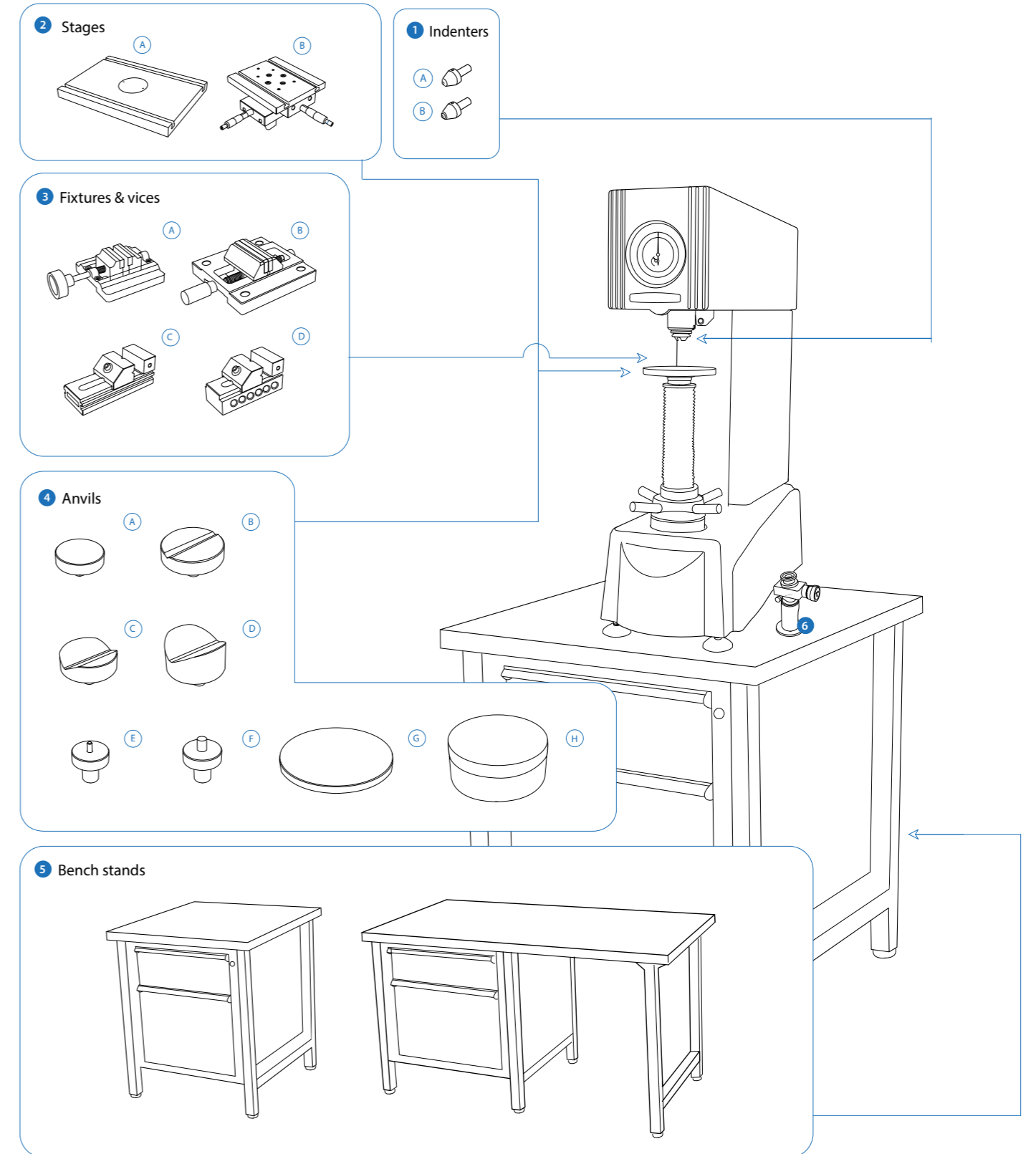
UN-STAND/960 71 x 75 x 80 cm



UN-STAND/965 150 x 75 x 80 cm

## ACCESSORIES FENIX 200

Schematic overview of the configuration options, standard and optional accessories



Not all accessories are displayed on this page. Full details can be found on the Order details page.

# ORDER DETAILS

## FENIX 200



FENIX 200 AR Rockwell hardness tester	FENIX 200 AR
FENIX 200 ACL Rockwell (Brinell) hardness tester	FENIX 200 ACL

## ACCESSORIES

Category	Item	Part Number	Standard
1 Indenters	A Rockwell cone diamond indenter, factory certified	IN/6011	STANDARD
	Rockwell cone diamond indenter & ASTM/ISO certificate	IN/6005	
	Rockwell indenter 1/16" carbide ball & ASTM/ISO certificate	IN/7506	
	Rockwell indenter 1/8" carbide ball & ASTM/ISO certificate	IN/7606	
	Rockwell indenter 1/4" carbide ball & ASTM/ISO certificate	IN/7706	
	Rockwell indenter 1/2" carbide ball & ASTM/ISO certificate	IN/7806	
	B Brinell Indenter 1mm, includes 1 carbide ball & ASTM/ISO certificate	IN/7000	
	Brinell indenter 2.5mm, includes 1 carbide ball & ASTM/ISO certificate	IN/7005	
	Brinell indenter 5mm, includes 1 carbide ball & ASTM/ISO certificate	IN/7010	
	Brinell indenter 10mm, includes 1 carbide ball & ASTM/ISO certificate	IN/7015	
2 Stages	A Flat test table with 2 T-slots, 350x250mm, req. ASV700-21-01 locking Ring	UN-TESTTABLE/015	
	Locking ring	ASV700-21-01	
	B Manual X-Y stage with analogue metric micrometers, 180x160mm Displacement: 25x25mm, scale 0.01mm, max load 300kg, requires UN-XYZ BUSH42 1x + UN-XYZ30FP40-42 1	UN-TESTTABLE/030	
	Fixing bush 42 XY Stage	UN-XYZ BUSH42	
	Fixing plate 40-42 XY Stage	UN-XYZ30FP40-42	
3 Fixtures & vices	A Polished precision vice with lock down system, jaw 25mm, depth 20mm	UN-VICE/210	
	Polished precision vice with lock down system, jaw 36mm, depth 42mm	UN-VICE/215	
	Polished precision vice with lock down system, jaw 48mm, depth 75mm	UN-VICE/220	
	Polished precision vice with lock down system, jaw 75mm, depth 100mm	UN-VICE/230	
4 Anvils	A Flat Anvil 60mm	ASX600-19-04	STANDARD
	B V-Anvil ø80mm 3.3-20mm	UN-ANVIL/040	
	C V-Anvil ø80mm 12-80mm	UN-ANVIL/045	
	D V-Anvil ø80mm 20-140mm	UN-ANVIL/050	
	E Spot anvil 5mm	UN-ANVIL/010	
	F Spot anvil 10mm	UN-ANVIL/011	
	G Testing table flat 150mm ø	ASX600-19-06	
	H Irregular part table support, ø150mm	UN-ANVIL/020	
Machine cover	Anti Static machine cover	UN-TESTERCOVER06	
5 Bench stands	Cabinet test table with drawer 71x75x80cm	UN-STAND/960	
	Cabinet test table with drawer 150x75x80cm	UN-STAND/965	
6 Microscopes	Analogue measuring microscope 20 x	ASS3001-MICRO/01	
	Analogue measuring microscope 40 x	ASS3001-MICRO/02	
	Pre installation, calibration, handling and standard packing (for sea and airworthy transportation)	SEAPACK/032	

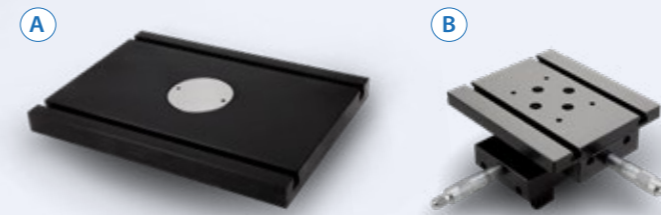
# ACCESSORIES

## INDENTERS



\* Without ISO/ASTM Certificate

## STAGES



## FIXTURES & VICES



## ANVILS

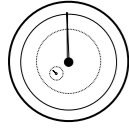


## MICROSCOPES

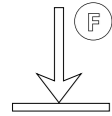


# SPECIFICATIONS

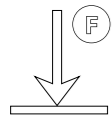
## HARDNESS SCALES

	<b>ROCKWELL</b>	A, B, C, D, E, F, G, H, K, L, M, P, R, S, V
	EN-ISO 6508, ASTM E-18 JIS Z 2245	
	<b>BRINELL*</b>	HBW1/10, HBW1/30, HBW2.5/15.625, HBW2.5/31.25, HBW2.5/62.5, HBW2.5/187.5, HBW5/25, HBW5/62.5, HBW5/125, HBW5/187.5, HBW10/100
	EN-ISO 6506, ASTM E92 JIS Z 2243	* FENIX 200 ACL only

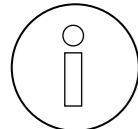
## TEST FORCE 200 AR

	<b>Force application</b>	Dead weight system via load selector
	<b>Test forces</b>	Preload : 10kgf , main loads : 60, 100, 150kgf
	<b>Force range</b>	FENIX 200 AR 10kgf – 150kgf
	<b>Test force tolerance</b>	< 1% for test force 10kgf to 150kgf
	<b>Dwell time settings</b>	User defin

## TEST FORCE 200 ACL

	<b>Force application</b>	Load cell, closed loop, force feedback system
	<b>Test forces</b>	Preload : 10kgf , main loads : 15.625, 25, 30, 31.25, 60, 62.5, 100, 125, 150, 187.5kgf
	<b>Force range</b>	FENIX 200 ACL 10kgf – 187.5kgf
	<b>Test force tolerance</b>	< 0.25% for test force 10kgf to 187.5kgf
	<b>Dwell time settings</b>	Default 10 seconds, user defined. Up to 999 seconds

## GENERAL

	<b>Machine dimension</b>	765mm x 270mm x 555mm
	<b>Machine weight</b>	116kg
	<b>Power supply</b>	100VAC to 240VAC, 50/60Hz, single phase
	<b>Operating temperature</b>	10°C to 35°C, non-condensing
	<b>Power consumption</b>	10W
	<b>Humidity</b>	10% to 90%, non-condensing



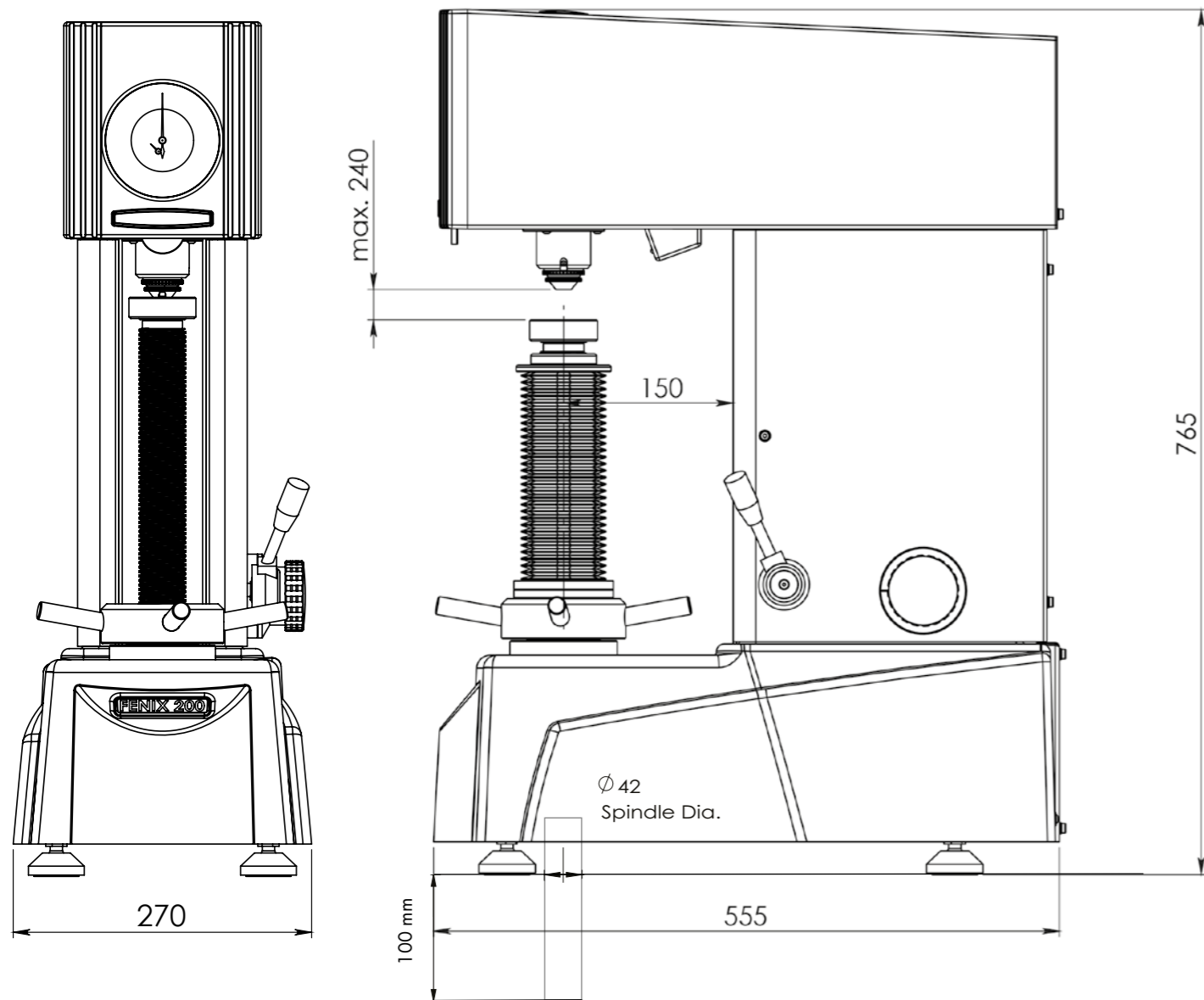


# TECHNICAL DRAWINGS

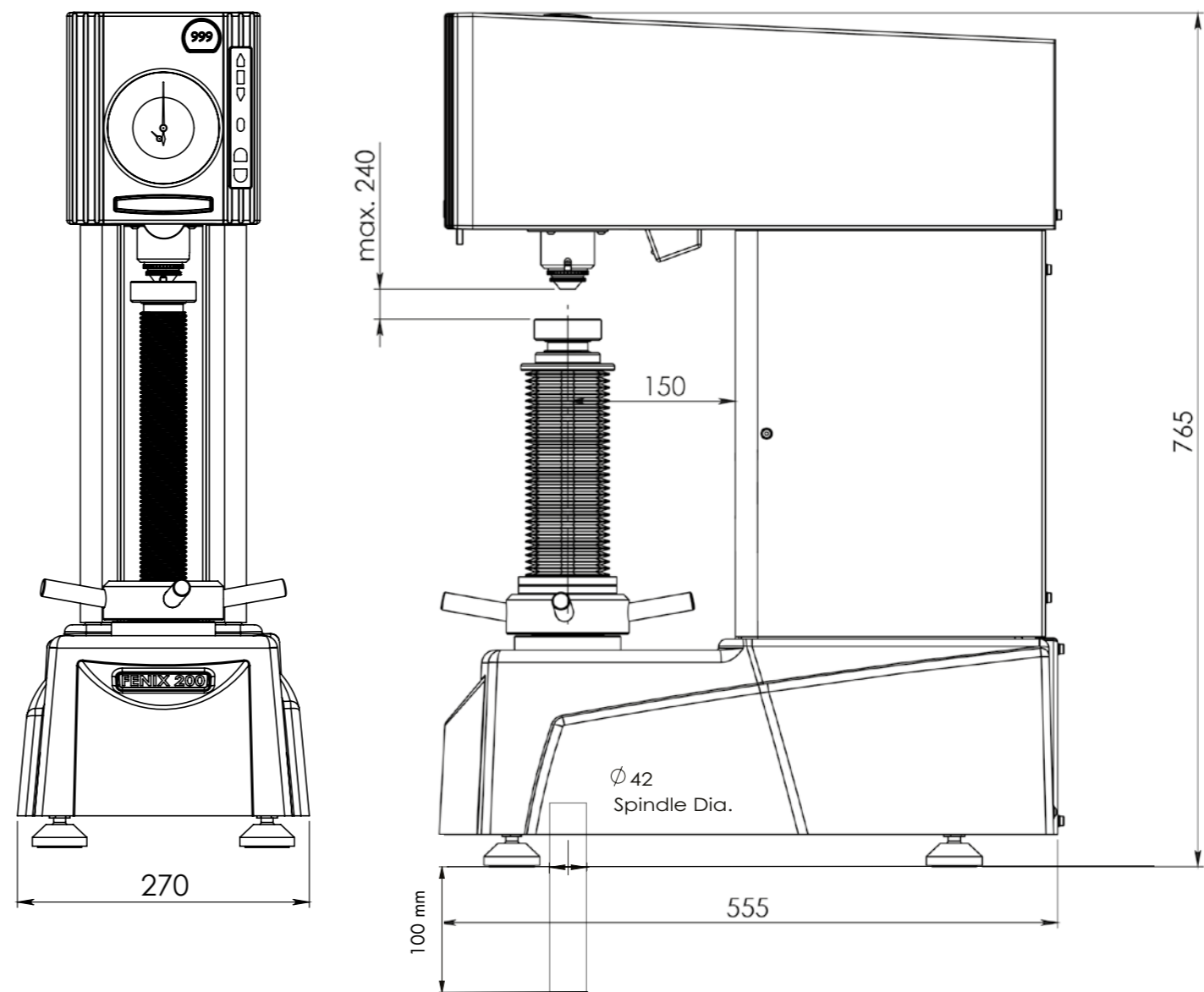
All dimensions in these drawings are in mm, approximate. Working heights and or workpiece accommodation varies depending on the stages and stage accessories used.

Please contact our sales department for more details.

FENIX 200 AR



FENIX 200 ACL



## OTHER MODELS IN THE **ROCKWELL RANGE**



### **NEXUS 605**

Load Cell, closed loop  
Rockwell/Super Rockwell/  
Brinell hardness tester,  
with full color touch  
screen.

*See brochure B18N605/01*



### **NEXUS 610**

Load Cell, closed loop  
Rockwell/Super Rockwell/  
Brinell hardness tester,  
with integrated PC,  
Windows 10, wifi etc.  
full color touch screen.

*See brochure B18N610/01*



### **VERZUS 710**

Load Cell, closed loop  
Rockwell/Super Rockwell/  
Brinell hardness tester, with  
direct depth measuring system,  
integrated PC, Windows 10,  
wifi, full color touch screen.

*See brochure B18V710/01*



### **NEMESIS 6100**

Load Cell, Closed loop  
Fully automatic Rockwell/  
Super Rockwell (Brinell)  
hardness tester with  
descending test head &  
fixed workpiece position.  
full color touch screen  
operation.

*See brochure B18N6100/01*



### **NEMESIS 6200**

Load Cell, Closed loop  
Fully automatic Rockwell/  
Super Rockwell (Brinell)  
hardness tester with  
descending test head & fixed  
workpiece position, integrated  
PC, Windows 10, Wifi, full color  
15 " industrial capacitive touch  
screen.

Includes CNC motorized  
X-Y stage, overview camera  
and advanced software  
(IMPRESSIONS) for automatic  
pattern testing and fixture  
recognition.

*See brochure B18N6200/01*

[www.innovatest-europe.com](http://www.innovatest-europe.com)

Changes in products and/  
or product specifications  
can emerge due to new  
technologies and continuous  
development.

We reserve the right to change  
or modify specifications of  
the products without prior  
notice. We recommend you  
to contact our sales office for  
up-to-date information.

Brochure B18F200/04/EN

© All rights reserved, 2018

Distributor :

## **CORPORATE HEAD OFFICE**

### **INNOVATEST Europe BV**

**Manufacturing, Distribution & Service**

Borgharenweg 140  
6222 AA MAASTRICHT  
The Netherlands

Phone: +31 43 3520060

Fax: +31 43 3631168

[info@innovatest-europe.com](mailto:info@innovatest-europe.com)

[www.innovatest-europe.com](http://www.innovatest-europe.com)

### **INNOVATEST Shanghai Co., Ltd.**

#### **Sales & Service**

Building 2, No.123,  
1165 Nong Jindu Road  
South Metropolis Industrial Park  
Minghang District,  
Shanghai, P.R. CHINA  
Zip code 201108

Phone: +86 21 60906200

Fax: +86 21 60912595

[info@innovatest-shanghai.com](mailto:info@innovatest-shanghai.com)

[www.innovatest-shanghai.com](http://www.innovatest-shanghai.com)

### **INNOVATEST Japan Co., Ltd.**

#### **Sales & Service**

3-36-13, Horinouchi,  
Suginami-ku, Tokyo,  
JAPAN 166-0013

Phone: +81 4 2937 7540

Fax: +81 4 2937 7542

[info@innovatest-japan.com](mailto:info@innovatest-japan.com)

[www.innovatest-japan.com](http://www.innovatest-japan.com)

### **INNOVATEST South East Asia**

#### **Sales & Service**

20 Sin Ming Lane #05-58  
Midview City  
SINGAPORE 573 968

Phone: +65 6451 1123

Fax: +65 6452 1011

[info@innovatest-singapore.com](mailto:info@innovatest-singapore.com)

[www.innovatest-singapore.com](http://www.innovatest-singapore.com)

### **INNOVATEST Polska sp. z.o.o**

#### **Sales & Service**

Ul. Komornicka 127  
62-051 Wiry  
POLAND

Phone: +48 697 099 826

[info@innovatest-polska.pl](mailto:info@innovatest-polska.pl)

[www.innovatest-poland.com](http://www.innovatest-poland.com)